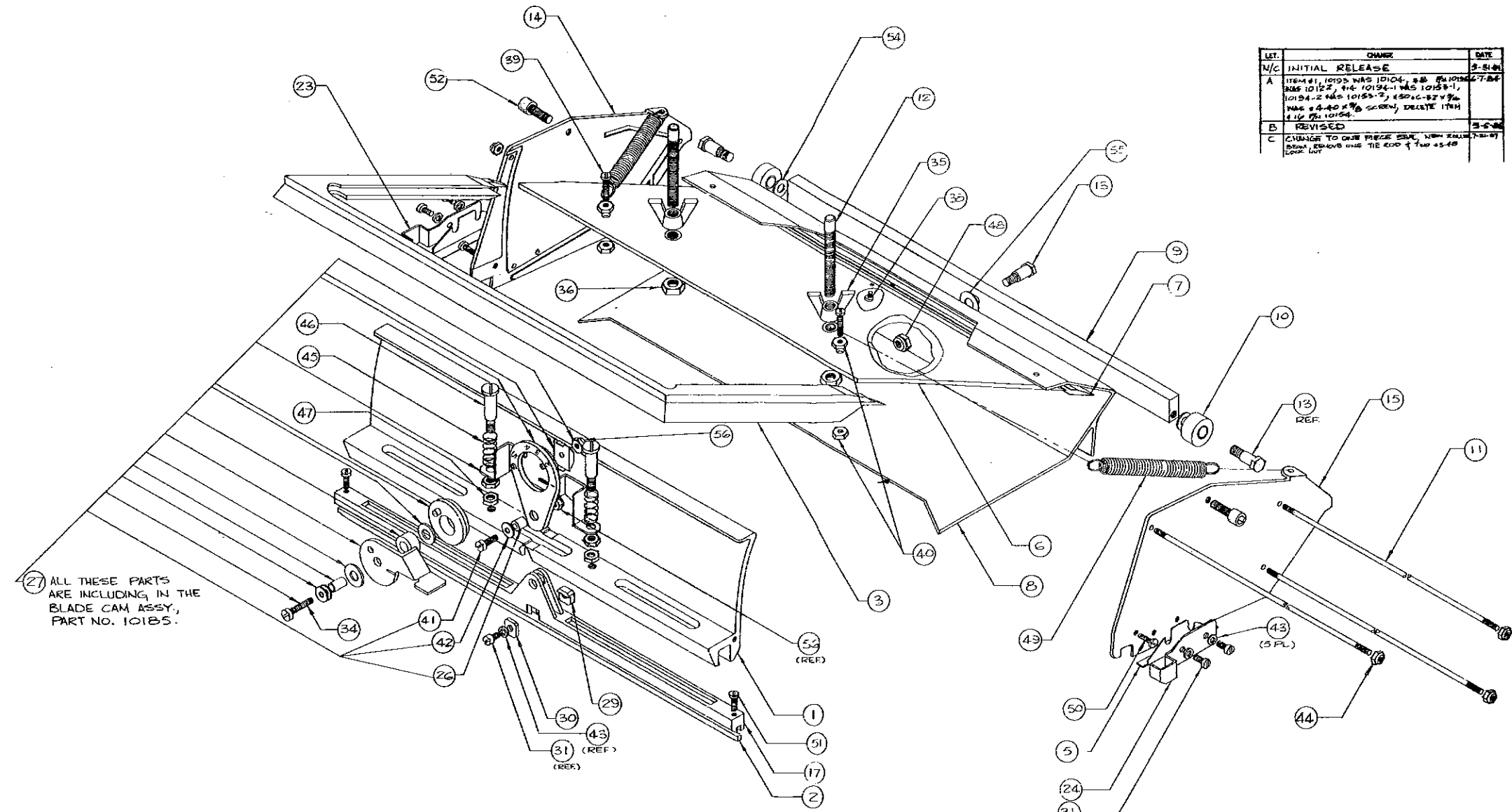


LET.	CHANGE	DATE
N/C	INITIAL RELEASE	5-31-83
A	ITEM #1, 10195 WAS 10104, #8 10196 WAS 10197, #8 10198 WAS 10199, #4 10194-1 WAS 10193-1, 10194-2 WAS 10193-2, #8 10194 WAS 10193, #4 10194 WAS 10193, DELETE ITEM #10 10194.	
B	REVISED	5-31-83
C	CHANGE TO ONE PIECE SEAL, WITH KALLER TIE ROD, REMOVE ONE TIE ROD & TAP #5-48 LONG END	



NOTES:  
 1. DASH NUMBERS ARE USED TO INDICATE THE CORRESPONDING SIZE  
 -80 INDICATES 8" FLAT BOX  
 -100 INDICATES 10" FLAT BOX  
 -120 INDICATES 12" FLAT BOX  
 2. ALL FASTENERS HAVE TO BE STAINLESS STEEL UNLESS OTHERWISE SPECIFIED

FLAT BOX REPAIR KIT

ITEM NO.	QUANTITY PER NOTED ASSY.	PART NO.	DESCRIPTION
		10101 12RK	12" FLAT BOX REPAIR KIT, INCLUDING PARTS MARKED WITH ▲
		10101 10RK	10" FLAT BOX REPAIR KIT, INCLUDING PARTS MARKED WITH ▲
		10101 8RK	8" FLAT BOX REPAIR KIT, INCLUDING PARTS MARKED WITH ▲
56	2	807236	#6-32 THIN LOCK NUT
55	1	811150	1/4 BRASS FLAT WASHER
54	2	811120	#10 BRASS FLAT WASHER
52	2	809311	#10-24X1/2 SOCKET CAP SCREW
51	2	808563	#4X3/8 PAN HEAD SELF TAPPING SCREW
50	2	808539	#6-32X3/16 FILLISTER HEAD SCREW
49	2	0055	EXTENSION SPRING
48	1	807200	#10-32 THIN LOCK NUT
47	4	806661	#10-32 HEX NUT
46	2	10137	SHOULDER SCREW
45	2	0032	COMPRESSION SPRING
44	6	807219	#3-48 LOCK NUT
43	5	811022	#6 LOCK WASHER

ITEM NO.	QUANTITY PER NOTED ASSY.	PART NO.	DESCRIPTION
42	1	811025	#6 BRASS FLAT WASHER
41	1	808963	#6-32X3/8 PAN HEAD SCREW
40	4	806787	#6-32 HEX NUT
39	2	808999	#6-32X1/2 FILLISTER HEAD SCREW
38	1	808588	#4-40X1/8 BINDER HEAD SCREW
36	2	805780	1/4-20 HEX NUT
35	2	805788	1/4-20 WING NUT
34	1	809023	#6-32X3/8 PAN HEAD SCREW
31	5	808909	#6-32X1/4 FILLISTER HEAD SCREW
30	1	10191	CLAMP
29	1	10190	BACK PLATE, BLADE CLAMP
27	1	10185	BLADE CAM ASSY.
26	1	10125	BLADE CARRIER BUSHING
24	1	10161-2	BLADE CARRIER GUARD (L.H.)
23	1	10161-1	BLADE CARRIER GUARD (R.H.)
17	1	10155-120	BLADE CARRIER (12")
		10155-100	BLADE CARRIER (10")
		10155-80	BLADE CARRIER (8")
15	1	10194-2	SIDE PLATE (L.H.)
14	1	10194-1	SIDE PLATE (R.H.)
13	3	10150	SHOULDER BOLT
12	2	10140	STUD, THREADED
		10138-120	TIE ROD (12")
		10138-100	TIE ROD (10")
		10138-80	TIE ROD (8")
10	2	10128	ROLLER ASSY. (W/BEARING)
9	1	10126-120	ROLLER BEAM (12")
		10126-100	ROLLER BEAM (10")
		10126-80	ROLLER BEAM (8")

ITEM NO.	QUANTITY PER NOTED ASSY.	PART NO.	DESCRIPTION
8	1	10195-120	FULCRUM PLATE (12")
		10195-100	FULCRUM PLATE (10")
		10195-80	FULCRUM PLATE (8")
		10120-120	PIVOT STRIP (12")
7	1	10120-100	PIVOT STRIP (10")
		10120-80	PIVOT STRIP (8")
		10118-120	PISTON PLATE ASSY. (12")
6	1	10118-100	PISTON PLATE ASSY. (10")
		10118-80	PISTON PLATE ASSY. (8")
5	2	10116	SHOE
		10111-120	SEAL (12")
3	1	10111-100	SEAL (10")
		10111-80	SEAL (8")
		10108-120	BLADE (12")
2	1	10108-100	BLADE (10")
		10108-80	BLADE (8")
		10193-120	WIPER PLATE (12")
1	1	10193-100	WIPER PLATE (10")
		10193-80	WIPER PLATE (8")

LIST OF MATERIAL		TOLERANCES UNLESS OTHERWISE SPECIFIED	HEAT TREAT:
DRYWALL TOOLS DIV.		DECIMALS 2 3 4 5	
APPROVED: [Signature]		ANGLES 1/2 1/4"	SURFACE FINISH:
DATE: 5-31-83		BREAK ALL SHARP EDGES	
DRAWN: [Signature]		HAWK	
FLAT BOX		10100	
(-80, -100, -120)		SHEET 1 OF 1	